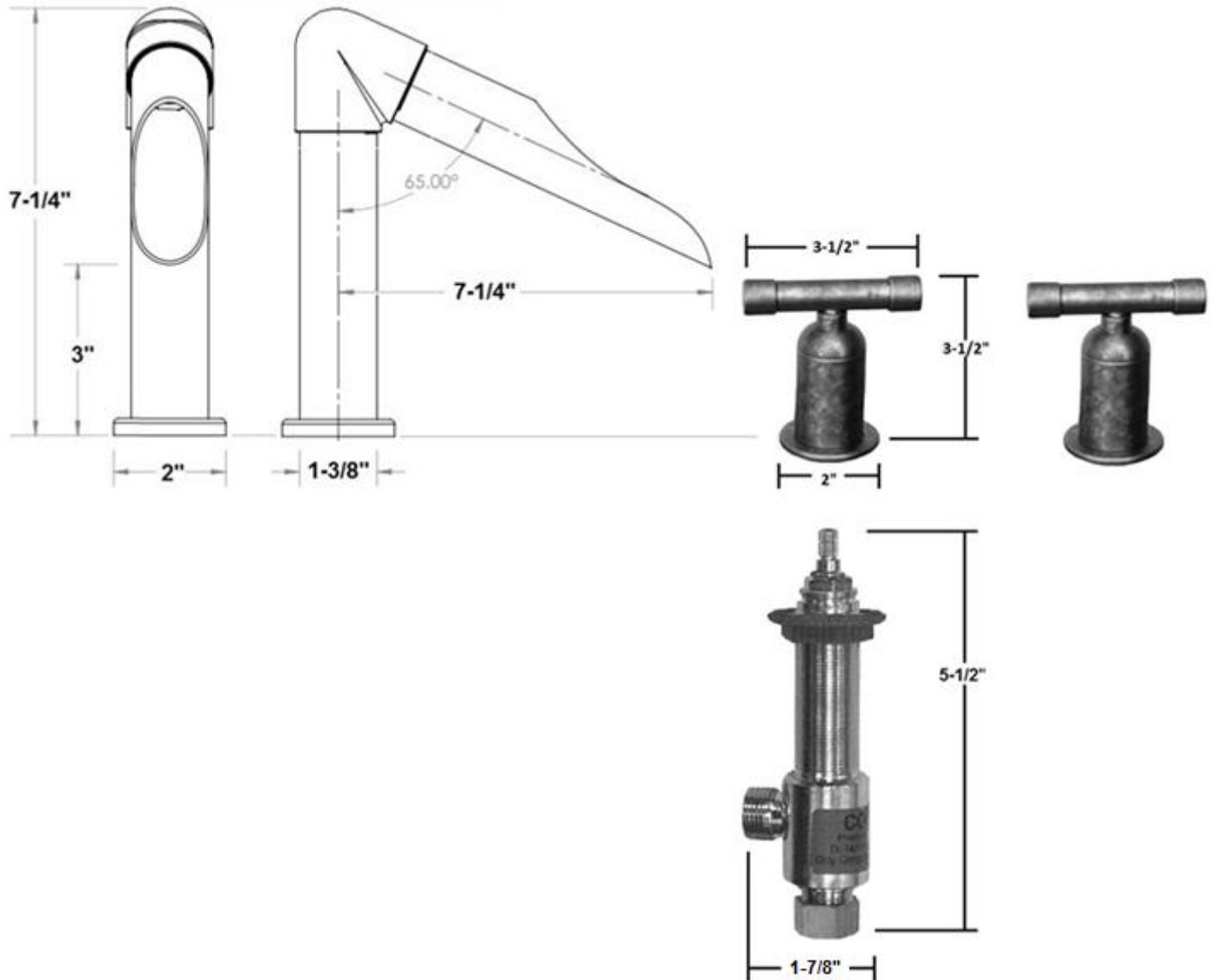




PRODUCT SPECIFICATIONS

Wherever Tub Filler with Waterfall Spout
WE-RTF-DM-WF

Jun 2020



- ADA Compliant
- Drill all mounting holes at 1-3/8"
- Offset and Cross handles available
- Custom sizes and finishes available

Connection	3/4" NPT
Valve	3/4" Ceramic
GPM	10-14